

Trio K-Series

License-free serial data radio

KR900 | KR240 | KP900 | KP240 | KB900 | KB240



Distributed by:



888.858.3647 | relevantsolutions.com



Trio K-Series frequency-hopping, spread-spectrum data radios set the standard for reliable and secure serial data communication in the license-free 900MHz and 2.4GHz ISM bands. With unique features like LinkXtend™ for single radio store-and-forward, and ChannelShare™ collision-avoidance for support of spontaneous SCADA messages, K-Series radios provide the flexibility to allow implementation of even the most complex wireless solutions with virtually unlimited expansion capability.

The industrial strength K-Series is ideally suited for the most demanding Point-to-Multipoint, Point-to-Point, and SmartPath™ mesh-like wireless Telemetry and remote SCADA applications, and is available in a fully enclosed housing (KR) as well as small-format DIN rail-mountable (KP), board-only (KB), and OEM module (OM) variants.

Product Data Sheet Trio KR900 | KR240

Specifications



Trio KR900 | KR240

Radio

Frequency Range	902-928MHz or 2.4-2.48335GHz, (region-specific versions available)
Frequency Accuracy	±2.5ppm (900MHz) ±3.0ppm (2.4GHz)
Radio Modes	Half Duplex, Pseudo Full Duplex
Configuration	All configuration via Windows based software
Selectivity	Better than 50dB
Spurious Response	Better than 70dB
Tx Power	<ul style="list-style-type: none"> 900MHz : 0.01 - 1W (+30dBm) 0.5dB steps configurable with over-temperature and high VSWR protection 2.4GHz : 0.01 - 500mW (+27dBm) 0.5dB steps configurable with over-temperature protection.
Modulation	2 Level GFSK

Connections

Serial Data Port A	1 x RS232/RS485 RJ-45. 600-230,000bps asynchronous
Serial Data Port B	1 x RS232 DB9 female DCE. 300-38,400bps asynchronous
Serial Data Port Flow Control	Configurable hardware / 3-wire interface
Serial Data Port DCD Control	Configurable DCD operation : activated on Master synchronisation or from user data output.
System Port	1 x RS232 RJ45: 19,200bps, for configuration and diagnostics
Antenna	2 x TNC female bulkhead connectors for LinkXtend or separate TX/RX antennas
Power	2-pin locking, mating connector supplied
LED Display	Multimode Indicators for Pwr, Tx, Rx, Sync, TxD and RxD data LEDs (for both port A and B)

Modem

RF Channel Data Rate	32,000/64,000/128,000 or 256,000bps
Bit Error Rate	Max sensitivity < 1×10^{-6} @ -108dBm
Operating Modes	Master, remote, repeater or network-bridge
Network Types	Point-to-Point, Point-to-Multipoint, Point-to-Multipoint with Repeaters / Store n' Forward, Mesh
Channelshare™	Trio's unique supervisory collision avoidance system
MultiStream™	Simultaneous data stream delivery allows for multiple vendor devices/protocols to be transported on the one radio network
SmartPath™	Technology for enhanced redundancy in network configuration (Mesh)
Firmware	Local and over-the-air flash-based firmware

Security

Encryption*	256-bit AES
Password Protection	Password protected configuration sessions
Trusted Unit	Optional Trusted Access point-Trusted Remote operation

* Export restrictions may apply. Contact factory for details.

Specifications continue on the next page.

Product Data Sheet Trio KR900 | KR240

Specifications



Trio KR900 | KR240

Diagnostics

Diagnostics Overview

- TView+ configuration, network management and diagnostic Windows GUI software
- Spectrum Analyser and Channel Lockout facilities
- Network-wide operation from any remote terminal
- Non intrusive protocol – runs simultaneously with the application
- Over-the-air re-configuration of user parameters.
- Storage of data error and channel occupancy statistics
- In-built Error Rate testing capabilities
- Diagnostics parameters available
 - Transmitter Power
 - Received Signal Strength
 - DC Supply Voltage
 - Received Frequency Error
 - Radio Temperature

General

Operating Temperature Range	-40 to + 70°C (-40 to +158°F)
Power Supply	10-30Vdc (13.8Vdc nominal)
Transmit Current	<ul style="list-style-type: none"> • 900MHz : 500mA nominal @ 1W • 2.4GHz : 800mA nominal @ 0.5W
Receive Current	<ul style="list-style-type: none"> • 900MHz: <120mA nominal @ 13.8Vdc • 2.4GHz: <100mA nominal @ 13.8Vdc
Sleep Mode	Software Controlled
Housing & Dimensions	Rugged die-cast, 100 x 34 x 165mm (4.0 x 1.4 x 6.5in.)
Mounting	Integrated Mounting Holes or DIN Rail mounting (optional)
Weight	0.5kg (1.1lbs.)
Warranty	3 years on parts and labor

Approvals and Certifications

Europe (ETSI)	ETSI EN60950, EN50392 EN300328 EN301489 (2.4GHz only)
FCC	FCC PART 15
Industry Canada	IC RSS210
Australia	ACMA AS/NZS 4268
Hazardous Locations	<ul style="list-style-type: none"> • 900MHz : CSA Class I, Division II, Groups (A,B,C,D) for Hazardous Locations ANSI/UL equivalent) • 2.4GHz : ATEX II 3G Ex nA IIC T4

Note: Not all product features are available in every mode of operation.

Disclaimer: Schneider Electric reserves the right to change product specifications. For more information visit www.schneider-electric.com.

Product Data Sheet Trio KP & KB-Series Specifications

> Trio KP900 | KP240 | KB900 | KB240

Radio

Frequency Range	902-928MHz or 2.4-2.48335GHz, (region-specific versions available)
Frequency Accuracy	±2.5ppm (900MHz) ±3.0ppm (2.4GHz)
Radio Modes	Half Duplex, Pseudo Full Duplex
Configuration	All configuration via Windows based software
Selectivity	Better than 50dB
Spurious Response	Better than 70dB
Tx Power	<ul style="list-style-type: none"> 900MHz : 0.01 - 1W (+30dBm) 0.5dB steps configurable with over-temperature and high VSWR protection 2.4GHz : 0.01 - 500mW (+27dBm) 0.5dB steps configurable with over-temperature protection.
Modulation	2 Level GFSK

Connections

Serial Data Port A	1 x RS232/RS485 RJ-45. 600-230,000bps asynchronous
Serial Data Port B	1 x RS232 RJ-45. 300-38,400bps asynchronous (shared with System Port)
Serial Data Port Flow Control	Configurable hardware (Serial Data Port A only) / 3-wire interface
Serial Data Port DCD Control	Configurable DCD operation : activated on Master synchronisation or from user data output.
System Port	1 x RS232 RJ45: 19,200bps, for configuration and diagnostics (shared with Serial Data Port B)
Antenna	2 x SMA female bulkhead connectors for LinkXtend or separate TX/RX antennas
Power	2-pin locking, mating connector supplied
LED Display	Multimode Indicators for Pwr, Tx, Rx, Sync, TxD and RxD data LEDs (for both port A and B)

Modem

RF Channel Data Rate	32,000/64,000/128,000 or 256,000bps
Bit Error Rate	Max sensitivity < 1×10^{-6} @ -108dBm
Operating Modes	Master, remote, repeater or network-bridge
Network Types	Point-to-Point, Point-to-Multipoint, Point-to-Multipoint with Repeaters / Store n' Forward, Mesh
Channelshare™	Trio's unique supervisory collision avoidance system
MultiStream™	Simultaneous data stream delivery allows for multiple vendor devices/protocols to be transported on the one radio network
SmartPath™	Technology for enhanced redundancy in network configuration (Mesh)
Firmware	Local and over-the-air flash-based firmware

Security

Encryption*	256-bit AES
Password Protection	Password protected configuration sessions
Trusted Unit	Optional Trusted Access point-Trusted Remote operation

* Export restrictions may apply. Contact factory for details.

Specifications continue on the next page

Product Data Sheet Trio KP & KB-Series Specifications



KP900 | KP240 | KB900 | KB240

Diagnostics

Diagnostics Overview

- TView+ configuration, network management and diagnostic Windows GUI software
- Spectrum Analyser and Channel Lockout facilities
- Network-wide operation from any remote terminal
- Non intrusive protocol – runs simultaneously with the application
- Over-the-air re-configuration of user parameters.
- Storage of data error and channel occupancy statistics
- In-built Error Rate testing capabilities
- Diagnostics parameters available
 - Transmitter Power
 - Received Signal Strength
 - DC Supply Voltage
 - Received Frequency Error
 - Radio Temperature

General

Operating Temperature Range	-40 to + 70°C (-40 to +158°F)
Power Supply	10-30Vdc (13.8Vdc nominal)
Transmit Current	<ul style="list-style-type: none"> • 900MHz : 500mA nominal @ 1W • 2.4GHz : 800mA nominal @ 0.5W
Receive Current	<ul style="list-style-type: none"> • 900MHz: <110mA nominal @ 13.8Vdc • 2.4GHz: <100mA nominal @ 13.8Vdc
Sleep Mode	Software Controlled
Housing & Dimensions	<ul style="list-style-type: none"> • KPxxx : Corrosion resistant zinc plated steel with black enamel paint 130 x 39 x 56mm (5.1 x 1.5 x 2.2in.) • KBxxx : Bare board 129 x 31 x 55mm (5.08 x 1.22 x 2.17in.)
Mounting	Integrated Mounting Holes or DIN Rail mounting (optional)
Weight	0.5kg (1.1lbs.)
Warranty	3 years on parts and labor

Approvals and Certifications

IC	RSS 139 (RSS 210)
Hazardous Locations – North America	CSA _{US} , suitable for use in Class I, Division 2, Groups A, B, C and D Hazardous Locations (900MHz only) Temperature Code T4 per CSA Std C22.2 No. 213-M1987 / UL1604
Europe	ATEX: II 3G Ex nA IIC T4 per EN 60079-15, protection type n (Zone 2) (2.4GHz 100mW ETSI version only)
Safety	CSA C22.2 No. 142-M1987 and UL916 in Canada and USA
EMC	FCC Part 15, Subpart B, Class A Verification EN61000-6-4: 2007 Electromagnetic Compatibility Generic Emission Standard Part2: Industrial Environment C-Tick compliance. Registration number N15744
Immunity	EN61000-6-2: 2005 Electromagnetic Compatibility Generic Standards Immunity for Industrial Environments

Note: Not all product features are available in every mode of operation.

Disclaimer: Schneider Electric reserves the right to change product specifications. For more information visit www.schneider-electric.com.

Product Data Sheet Trio KR900 | KR240 | KP900 | KP240 | KB900 | KB240 Model Code

	TBURKxxxx-aabbbcode represents the part number matrix
Model	Model Type
TBURK	K-Series
Code	Select: Unit Type
R	Remote station with full enclosure for panel or DIN rail mounting (DIN rail mounting bracket sold separately)
P	Remote station with compact enclosure for panel or DIN rail mounting (DIN rail clips sold separately)
B	Remote station, board-only version for standoff mounting (standoffs not included)
Code	Select: Generic Frequency Band
900	900MHz
240	2.4GHz
Code	Select: Frequency
	900MHz Frequency Band
00	License-free band 902 to 928 MHz (FCC/IC)
01	License-free band 915 to 928 MHz (ACMA)
05	License-free band 921 to 928 MHz (New Zealand)
06	License-free band 902 to 907.5MHz and 915 to 928MHz (Brazil)
	2.4 GHz Frequency Band
00	License-free band 2.4GHz, 500mW (FCC/IC/AUS)
01	License-free band 2.4GHz, 100mW (ETSI)
Note: Other frequency bands available upon request.	
Code	Select: RF Channel Data Rate & Bandwidth (Internal Modem)
001	32Kbps to 256Kbps
Code	Select: Encryption (subject to country of use)
D	No encryption* (standard on all shipments outside of USA, Canada and Australia)
E	Encryption* (standard within USA, Canada and Australia)
Code	Select: Approvals
H	CSA Hazardous Environment Class 1, Div 2 (standard on KR900 KP900 KB900)
A	ATEX II 3G, Ex nA IIC T4 compliance (standard on KR240 KP240 KB240)
Code	Future Option
0	None

* Export restrictions may apply. Contact factory for details.

Example: TBURKR900-00001EH0 specifies Trio KR900 Remote Station, License-free band 902 to 928 MHz (FCC/IC), 32kbps to 256kbps, Encryption and CSA Hazardous Area Approved

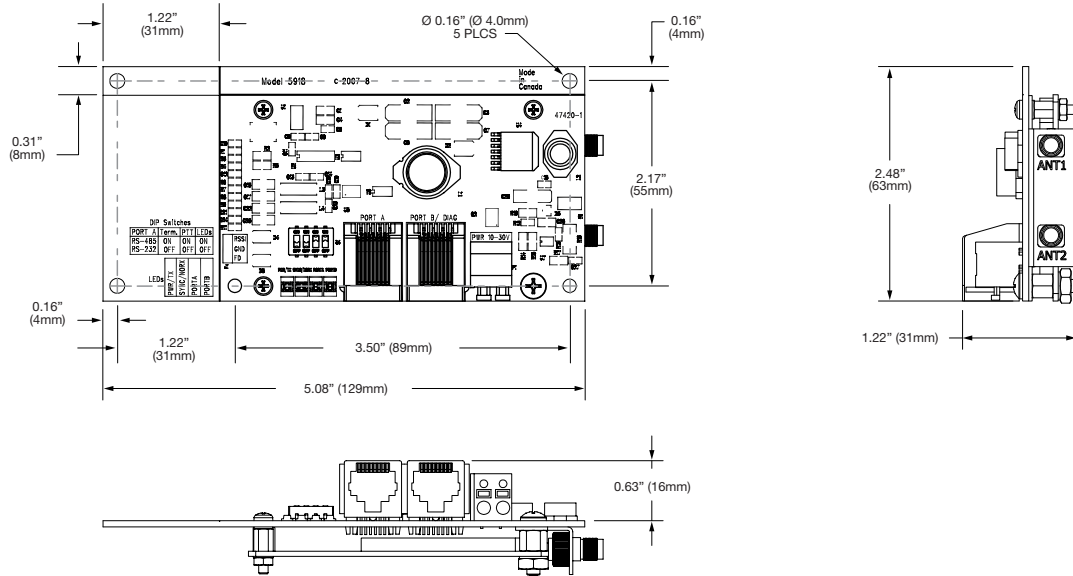
Communications Standards:

FCC – Federal Communications Commission (USA)
 IC – Industry Canada
 ETSI – European Telecommunication Standards Institute
 ACMA – Australian Communications Authority

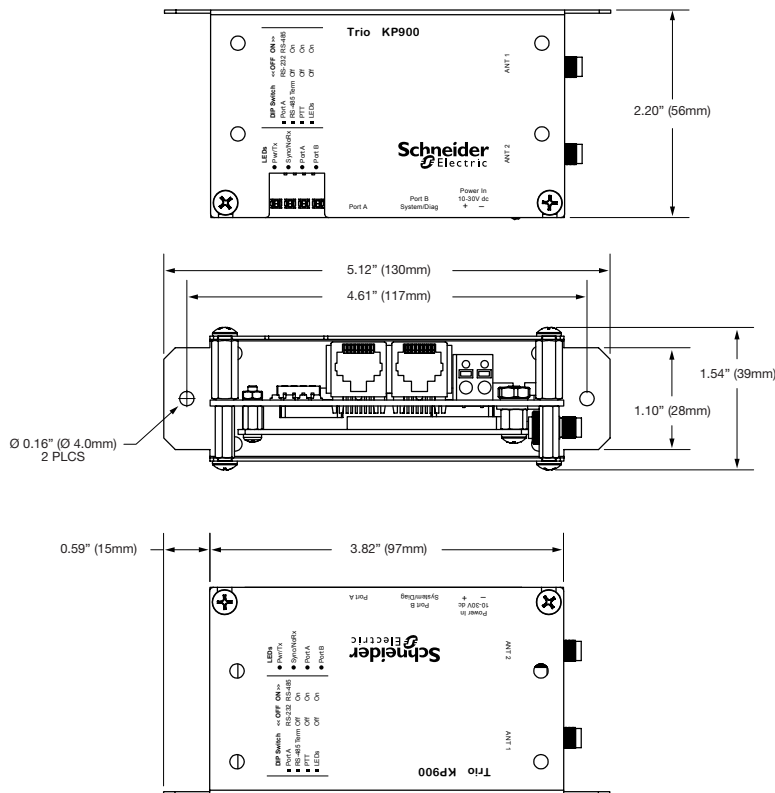
Product Data Sheet Trio KP & KB-Series

Dimensions

KB900 | KB240 (board only)



KP900 | KP240 (compact enclosure)



Product Data Sheet Trio KP900 | KP240 | KB900 | KB240 Dimensions

KR900 | KR240

