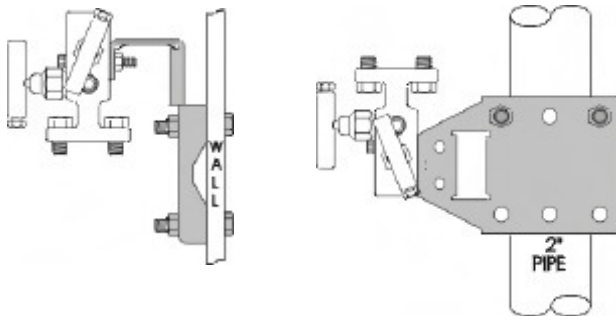
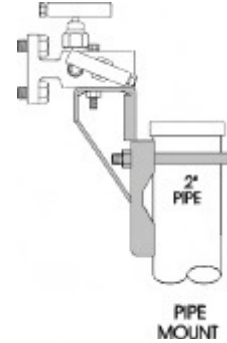


Accessories and Kits

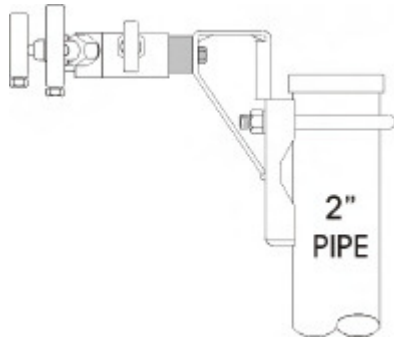
AK-002-__ : Versa-Mount Manifold Brackets



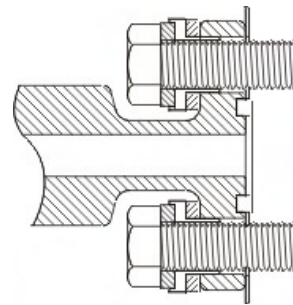
AK-002-__ - HD: Heavy-Duty Versa-Mount Manifold Brackets



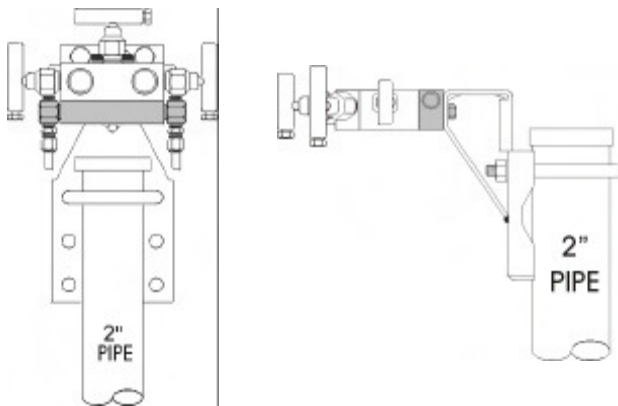
AK-085-C0: Coplanar™ Mounting Adapter Plate



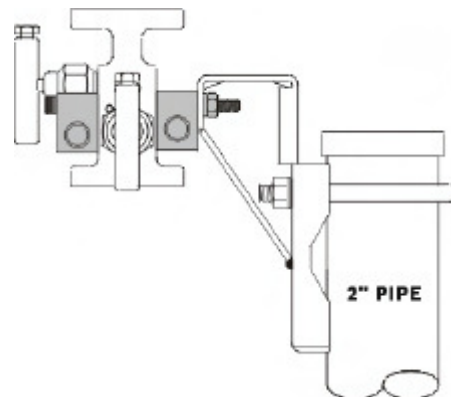
AK-032-__ - __ : Manifold Dielectric Kits



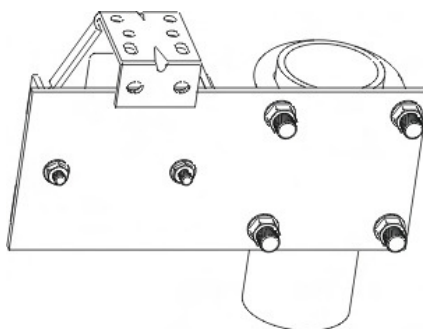
AK-__ : Steam Trace Block



AK-__ : Dual Steam Trace Block

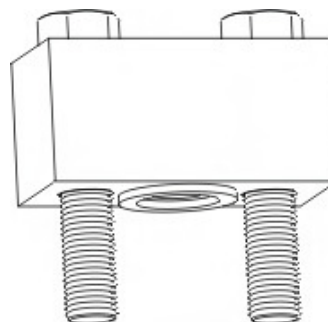


AK-099-10: Versa-Mount Side Adapter



This bracket allows the transmitter to be mounted off set to the mounting

AK-010-__ : Flange Adapters



These adapters can be mounted on the process side of our flange to flange manifolds.

Accessories and Kits

Accessories

PART NUMBER	DESCRIPTION	MATERIAL
Flange Adapters, Brackets and Hex Nipples		
AK-010-10	Flange Adapter - Includes (2) ½" NPT Flange Adapters, (4) Bolts, (2) Teflon® Seals	Carbon Steel
AK-010-C0	Flange Adapter - Includes (2) ½" NPT Flange Adapters, (4) Bolts, (2) Teflon® Seals	316 SS
AK-034-10	Conduit / Purge Meter Bracket	Carbon Steel
AK-035-10	Dual Conduit / Purge Meter Bracket	Carbon Steel
AK-099-10	Versa-Mount with Side Adapter Kit	Carbon Steel
C4-008-10	½" NPT Concentric Hex Nipple - 3" Long	Carbon Steel
C4-008-C0	½" NPT Concentric Hex Nipple - 3" Long	316 SS
C4-009-10	½" NPT Eccentric Hex Nipple - 3" Long	Carbon Steel
C4-009-C0	½" NPT Eccentric Hex Nipple - 3" Long	316 SS
Manifold Mounting Brackets & Accessories		
AK-002-10	Versa-Mount Manifold Mounting Bracket [VC Option Code]	Carbon Steel
AK-002-C0	Versa-Mount Manifold Mounting Bracket [VS Option Code]	316 SS
AK-002-10-HD	Versa-Mount Manifold Mounting Bracket (Heavy-Duty) [VCH Option Code]	Carbon Steel
AK-002-C0-HD	Versa-Mount Manifold Mounting Bracket (Heavy-Duty) [VSH Option Code]	316 SS
AK-002-10-HDWL	Versa-Mount Manifold Mounting Bracket (Heavy-Duty) w/ 2 Mounting U-Bolts [VCHWL Option Code]	Carbon Steel
AK-085-C0	Coplanar™ Mounting Adapter Plate	316 SS
Steam Trace Block		
AK-006-10	Steam Trace Block for Conventional 3 Valve Manifolds [TC Option Code]	Carbon Steel
AK-006-C0	Steam Trace Block for Conventional 3 Valve Manifolds [TS Option Code]	316 SS
AK-007-10	Steam Trace Block for Conventional 2 and 5 Valve Manifolds [TC Option Code]	Carbon Steel
AK-007-C0	Steam Trace Block for Conventional 2 and 5 Valve Manifolds [TS Option Code]	316 SS
AK-110-C0	Steam Trace Block for M-616 Slim Body 2 Valve Pressure Manifold [TS Option Code]	316 SS
AK-111-C0	Steam Trace Block for MD804, MD808, MD810, MD812 & MD813 Coplanar™ Manifolds [TS Option Code]	316 SS
Pipe Plugs		
P6-024-10	½" NPT Allen Head	Carbon Steel
P6-024-C0	½" NPT Allen Head	316 SS
P6-024-K0	½" NPT Allen Head	Monel®
P6-036-10	¼" NPT Hex Head	Carbon Steel
P6-036-C0	¼" NPT Hex Head	316 SS
P6-062-10	½" NPT Hex Head	Carbon Steel
P6-062-C0	½" NPT Hex Head	316 SS

Kits

PART NUMBER	DESCRIPTION	MATERIAL
Manifold Flange Seal Kits		
P5-018-R0	Manifold Flange Seal	Teflon®
P5-018-R1	Manifold Flange Seal	Grafoil®
P5-027-R0	Manifold Flange Seal for M-660 Manifold	Teflon®
P5-027-R1	Manifold Flange Seal for M-660 Manifold	Grafoil®
P5-046-R0	Manifold Flange Seal when used with Dielectric Isolators	Teflon®
P5-075-R0	Viton® O-Ring Flange Seal	Viton®
Manifold Dielectric Kits (1 kit per Manifold)		
AK-032-C0	Dielectric Gasket / CS Bolts / 316 SS Washers / Bolt Sleeves	
AK-032-C0-W3	Dielectric Gasket / 300 SS Bolts / 316 SS Washers / Bolt Sleeves	
AK-032-C0-W9	Dielectric Gasket / 316 SS Bolts / 316 SS Washers / Bolt Sleeves	