

































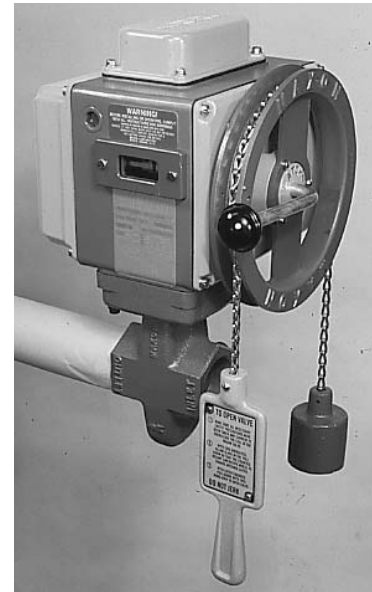
## Overhead Wheel & Chain Assembly

**Overhead wheel and chain assembly** allows operation of a manual reset valve in an otherwise inaccessible overhead location. A wheel is mounted onto the handle of the valve. The attached chain is weighted on one end and has a paddle handgrip on the other.

Once the valve is electrically energized, pulling down on the paddle will open normally closed versions.

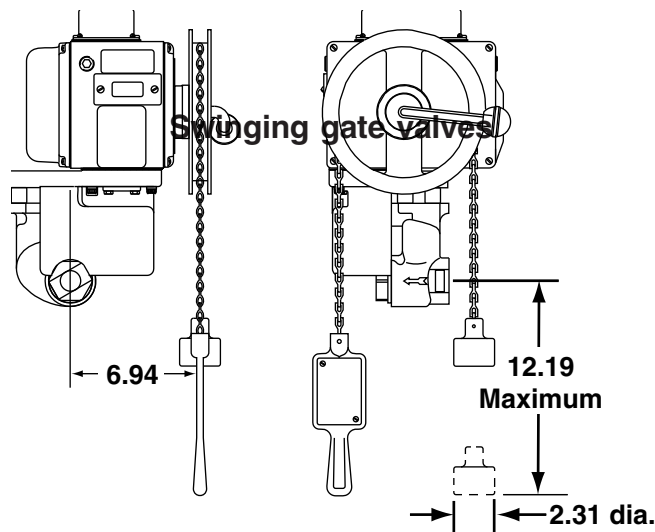
Maxon valve's free-handle design permits valve to trip to its rest position on any power interruption.

**Wheel and chain assembly includes** a length of chain to position the paddle handgrip slightly below pipe centerline. A standard length of 5 feet of chain is included. Extra chain (in one foot increments) may be specified to fit your specific location.



### Approximate envelope dimensions

(nominal, in inches)



**NOTE:** Overhead wheel & chain can only be mounted on swinging gate valves with the top assembly position TO.